

PARTS LIST **READY-TO-ROLL® (RTR®)**

LIT NO: L949

DATE: October 2011

REVISION: A

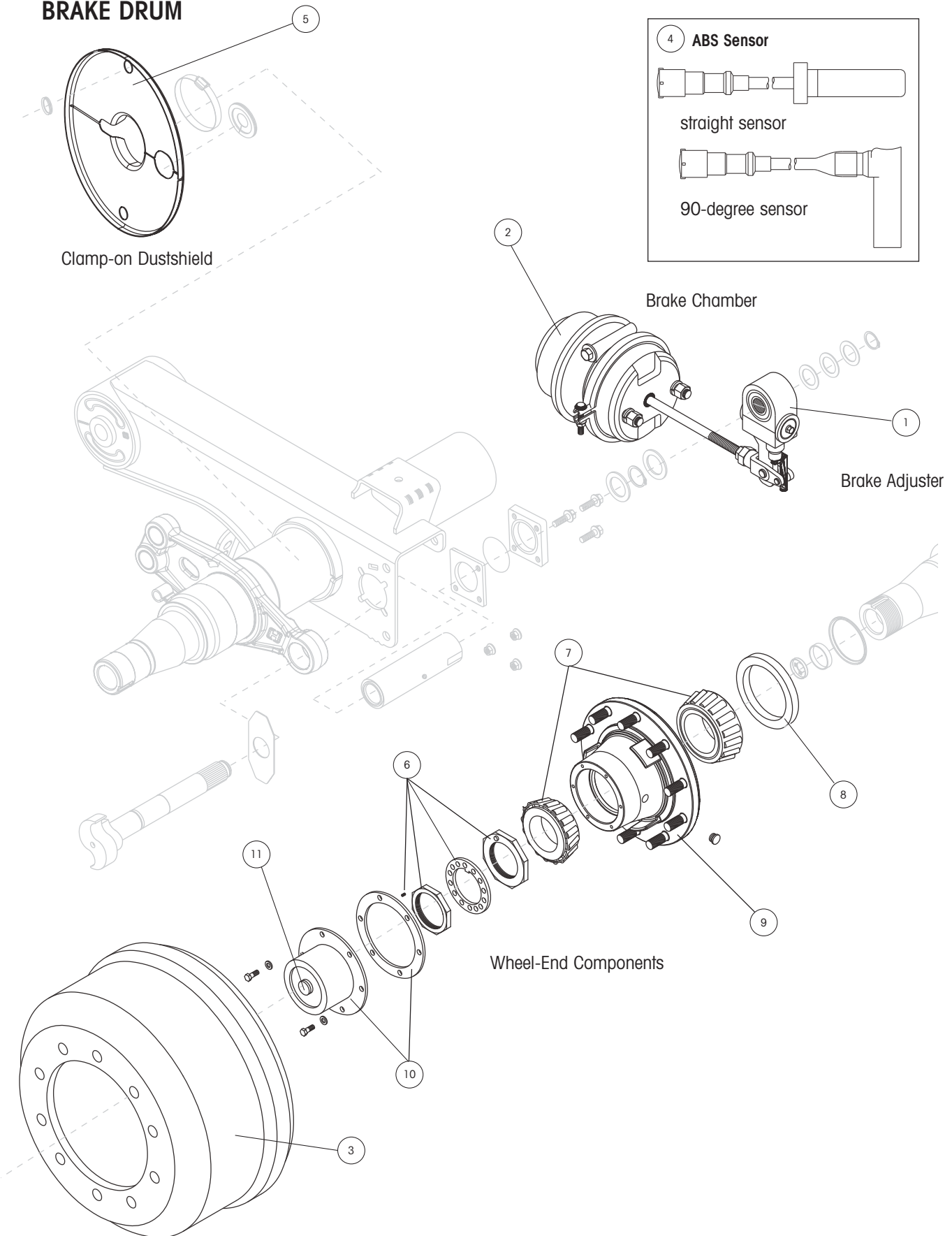


TABLE OF CONTENTS

BRAKE ADJUSTER	3
BRAKE CHAMBERS	3
BRAKE DRUMS	3
ABS SENSOR KIT	3
AXLE COMPONENTS	4
DUSTSHIELDS	4
SPINDLE NUTS	4
BEARINGS	4
SEALS	4
HUBS	4-5
HUBCAPS	5
HUBCAP COMPONENTS	6



BRAKE DRUM





DRUM BRAKE COMPONENTS

1 BRAKE ADJUSTERS (DRUM BRAKES ONLY)					
BRAND	LENGTH	28 SPLINE	10 SPLINE	QTY. PER AXLE	NOTES
Bendix	5.5" STD	C-29628	C-29673	2	Includes slack only
Bendix	6.0"	C-29629	C-29674	2	Includes slack only
Gunite	5.5" STD	S-21398-1	S-15191-1	2	Includes unhandled slack, inner sleeve, and outer nut
Gunite	6.0"	S-21398-2	S-15191-2	2	Includes unhandled slack, inner sleeve, and outer nut
Haldex "SABA"	5.5" STD	S-21399-3	S-15192-3	2	Includes anchor-stud, nut, Clevis assembly
Haldex "SABA"	6.0"	S-21399-4	S-15192-4	2	Includes anchor-stud, nut, Clevis assembly
Brunner	6.0"	S-31673	S-31672	2	Includes slack only

2 BRAKE CHAMBERS (DRUM BRAKES ONLY)			AAT, AANT, HKANT, HKAT, AAZNT Models (9.75" Push Rod)	AAEDT, AAL, AAEDL, HKAL, AANL, HKARL, AAZL Models (5.63" Push Rod)	QTY. PER AXLE
BRAND	SIZE	STROKE			
Bendix	30/30	2.5"	S-20837-5	S-24164-5	2
	30/30	3.0"	S-24247-5	S-24769-5	2
	30/36	2.5"	S-24828-5	S-24829-5	2
Haldex	24/24	2.5"	S-26844-2	S-26845-2	2
	24/30	2.5"	S-22792-2	S-24163-2	2
	30/30	2.5"	S-20837-2	S-24164-2	2
	30/30	3.0"	S-24247-2	S-24769-2	2
	30/30 Ext. Life	2.5"	S-28517-2	S-28518-2	2
	30/30 Ext. Life	3.0"	S-24225-2	S-24165-2	2
	30/36	2.5"	S-24828-2	S-24829-2	2
	30/36	2.5"	S-24828-2	S-24829-2	2
MGM	24/24	2.5"	S-26844-1	S-26845-1	2
	24/30	2.5"	S-22792-1	S-24163-1	2
	30/30	2.5"	S-20837-1	S-24164-1	2
	30/30	3.0"	S-24247-1	S-24769-1	2
	30/30 Ext. Life	3.0"	S-24225	S-24165	2
	30/36	2.5"	S-24828-1	S-24829-1	2
TSE	24/30	2.5"	S-22792-3	S-24163-3	2
	30/30	2.5"	S-20837-3	S-24164-3	2
	30/30	3.0"	S-32197	S-32027	2
	30/30 Ext. Life	2.5"	S-28517-3	S-28518-3	2
	30/30 Ext. Life	3.0"	S-24225-3	S-24165-3	2

3 BRAKE DRUMS										
SIZE	CAST DRUMS						FUSED DRUMS			
	Webb, Std. Duty		Webb, Hvy. Duty		Motorwheel, Std. Duty		Motorwheel, Hvy. Duty		Motorwheel, Std. Duty	
	8 Stud x 275mm BC	10 Stud x 11.25" BC	8 Stud x 275mm BC	10 Stud x 11.25" BC	8 Stud x 275mm BC	10 Stud x 11.25" BC	8 Stud x 275mm BC	10 Stud x 11.25" BC	8 Stud x 275mm BC	10 Stud x 11.25" BC
16.5" x 7"	B-22574	C-25161	N/A	B-21619	C-27853	C-27855	N/A	C-27857	B-22359	B-21620
16.5" x 8.625"	N/A	C-23603	N/A	N/A	N/A	C-27854	N/A	N/A	N/A	B-29099
15" x 8.625"	N/A	C-26391	N/A	N/A	N/A	N/A	N/A	N/A	C-27826	C-26390
12.25" x 7.5"	N/A	N/A	C-30106	N/A	N/A	N/A	N/A	N/A	N/A	N/A

4 ABS SENSOR KIT (DRUM BRAKES ONLY)				
BRAND	SENSOR TYPE	WIRE LENGTH	RETAINING SLEEVE	PART NUMBER
Haldex	Straight (P90 Spindle)	19.7"	Meritor	S-22889-1
Haldex	Straight (P90 Spindle)	78.7"	Meritor	S-22889-2
Bendix	Straight (P90 Spindle)	78.7"	Meritor	S-22889-4
Meritor-WABCO	Straight (P90 Spindle)	39.4"	Meritor	S-22889-3
Haldex	90° Angle (Std)	19.7"	Haldex	S-22889-6
Bendix	90° Angle (Std)	14.84"	Bendix	S-22889-7
Meritor-WABCO	90° Angle (Std)	15.7"	Meritor	S-22889-8
Meritor-WABCO	90° Angle (Std)	36.0"	Haldex	S-22889-11

ABS Sensor Kits Contain: (1) sensor, (1) sleeve, (2) nylon ties 4.5" and (1) UV resistant nylon tie 21"



AXLE COMPONENTS

5 CLAMP ON DUST SHIELD KIT			
16.5" DRUM BRAKES			
AXLE DIAMETER	PART NUMBER	QTY. PER AXLE	NOTES
5" Axle	S-28500-1650	2	Replaces S-23579/2 Includes (1) shield and hardware
5.75" LDA™ Axle	S-28500-1657	2	Includes (1) dust shield and hardware
15" DRUM BRAKES			
5" Axle	S-28500-1550	2	Includes (1) dust shield and hardware

6 AXLE NUT KIT				
SPINDLE NUT	SPINDLE	PART NUMBER	QTY. PER AXLE	NOTES
3-Piece Nut	HN	S-20492/2	2	Includes (1) each inner axle nut, outer axle nut, axle lock washer and set screw
	HP	S-20475/2	2	Same as above
STEMCO PRO-TORQ	HN	A-23851	2	1 - piece spindle nut
	HP	A-23852	2	1 - piece spindle nut
HUS® Nut System	HUS	S-26355/2	2	Includes (1) each inner axle nut, outer axle nut, axle washer and tab lock washer
PRECISION 320™	HP	S-29286/2	2	Includes (1) spindle nut, washer and (2) screws

BEARINGS

7 BEARINGS		
SPINDLE	INNER BEARINGS	OUTER BEARINGS
HN	A-2717-H	A-2718-H
HP	A-14897-H	A-14897-H

SEALS

8 SEALS		
SEAL BRAND	HN SPINDLE	HP SPINDLE
Stemco Guardian HP	A-11571	A-14895
Stemco Discover	A-25538	A-25539
Federal Mogul	A-27267	A-27268
Stemco Voyager	A-25540	A-25541

HUBS

9a HUBS (DRUM BRAKE)				
RTR PACKAGE / HUB MATERIAL	WHEEL MATERIAL	HN SPINDLE		
		8 STUD x 275 mm BC		10 STUD x 11.25" BC
		12.25 x 7.50	15 x 8-5/8 or 16.5 x 7 or 16.5 x 8-5/8 Stud	15 x 8-5/8 or 16.5 x 7 or 16.5 x 8-5/8 Stud
HUS / Ductile Iron	Steel	N/A	N/A	N/A
	Aluminum	N/A	N/A	N/A
ConMet PreSet® / Aluminum	Steel	N/A	C-25548-1	C-24749-1
	Aluminum	N/A	C-25548-2	C-24749-2
ConMet PreSet / Ductile Iron	Steel	N/A	N/A	D-29846-1
	Aluminum	N/A	N/A	D-29846-2
Standard Service, HLS®, HVS®, or Stemco Platinum / Walther ADI	Steel	N/A	N/A	C-31906-3
	Aluminum	N/A	N/A	C-31906-4
Standard Service, HLS, HVS, or Stemco Platinum / Aluminum	Steel	N/A	C-22551-7	C-22549-11
	Aluminum	N/A	C-22551-8	C-22549-12
Standard Service, HLS, HVS, or Stemco Platinum / Webb Ductile Iron	Steel	D-30657-1	C-22551-5	C-22549-7
	Aluminum	D-30657-2	C-22551-6	C-22549-8
Standard Service, HLS, HVS, or Stemco Platinum / Motorwheel Ductile Iron	Steel	N/A	C-22551-9	C-22549-17
	Aluminum	N/A	C-22551-10	C-22549-18
Standard Service / KIC Ductile Iron	Steel	D-30031-1	N/A	D-30030-1
	Aluminum	D-30031-2	N/A	D-30030-2
HXL7® / ConMet Aluminum	Steel	N/A	N/A	N/A
	Aluminum	N/A	N/A	N/A
HXL7 / Webb Ductile Iron	Steel	N/A	N/A	N/A
	Aluminum	N/A	N/A	N/A



HUBS

9a HUBS (DRUM BRAKE) (Continued)					
RTR® PACKAGE / HUB MATERIAL	WHEEL MATERIAL	HP SPINDLE			HUS SPINDLE
		8 STUD x 275 mm BC		10 STUD x 11.25" BC	10 STUD x 11.25" BC
		12.25 x 7.50	15 x 8-5/8 or 16.5 x 7 or 16.5 x 8-5/8 Stud	15 x 8-5/8 or 16.5 x 7 or 16.5 x 8-5/8 Stud	15 x 8-5/8 or 16.5 x 7 or 16.5 x 8-5/8 Stud
HUS® / Ductile Iron	Steel	N/A	N/A	N/A	N/A
	Aluminum	N/A	N/A	N/A	S-29228-2
ConMet PreSet® / Aluminum	Steel	N/A	C-25550-1	C-25551-1	N/A
	Aluminum	N/A	C-25550-2	C-25552-2	N/A
ConMet PreSet / Ductile Iron	Steel	N/A	N/A	D-29847-1	N/A
	Aluminum	N/A	N/A	D-29847-2	N/A
Standard Service, HLS®, HVS®, or Stemco Platinum / Walther ADI	Steel	N/A	N/A	C-31905-3	N/A
	Aluminum	N/A	N/A	C-31905-4	N/A
Standard Service, HLS, HVS, or Stemco Platinum / Aluminum	Steel	N/A	C-23373-3	C-23593-9	N/A
	Aluminum	N/A	C-23373-4	C-23593-10	N/A
Standard Service, HLS, HVS, or Stemco Platinum / Webb Ductile Iron	Steel	D-30642-1	N/A	C-23593-5	N/A
	Aluminum	D-30642-2	N/A	C-23593-6	N/A
Standard Service, HLS, HVS, or Stemco Platinum / Motorwheel Ductile Iron	Steel	N/A	N/A	C-23593-15	N/A
	Aluminum	N/A	N/A	C-23593-16	N/A
Standard Service / KIC Ductile Iron	Steel	D-30035-1	N/A	D-30032-1	N/A
	Aluminum	D-30035-2	N/A	D-30032-2	N/A
HXL7®/ ConMet Aluminum	Steel	N/A	N/A	C-23953-9	N/A
	Aluminum	N/A	N/A	C-23953-10	N/A
HXL7 / Webb Ductile Iron	Steel	N/A	N/A	C-23593-5	N/A
	Aluminum	N/A	N/A	C-23593-6	N/A

9b HUB and ROTOR ASSEMBLIES (DISC BRAKE)							
RTR PACKAGE / HUB MATERIAL	WHEEL MATERIAL	HN SPINDLE			HP SPINDLE		
		10 STUD x 11.25" BC			10 STUD x 11.25" BC		
		Conmet Rotor	Gunite Rotor	Knorr-Bendix	Conmet Rotor	Gunite Rotor	Knorr-Bendix
ConMet PreSet / Aluminum	Steel	D-28363-2			D-32014-2		
	Aluminum	D-28363-1			D-32014-1		
ConMet PreSet / Aluminum Splined	Steel			D-31179-2			D-31180-2
	Aluminum			D-31179-1			D-31180-1
ConMet PreSet / ConMet Ductile Iron	Steel						D-28596-10
	Aluminum						D-28596-9
Standard Service / Aluminum	Steel	D-28364-2					
	Aluminum	D-28364-1					
Standard Service / Gunite Ductile Iron	Steel		C-28585-2	D-28596-2		C-28589-2	D-28596-6
	Aluminum		C-28585-1	D-28596-1		C-28589-1	D-28596-5
Gunite TruSet®/ Gunite Ductile Iron	Steel		C-28588-2	D-28596-4		C-28591-2	D-28596-8
	Aluminum		C-28588-1	D-28596-3		C-28591-1	D-28596-7

HUBCAPS

10a HUBCAP - HENDRICKSON Original Equipment Replacements					
Hub Type	Hendrickson Unitized System™ - HUS			Hendrickson Extended Life 7-Year™ - HXL7	
Hub Cap Type	HUS - Screw On			HXL7-6 Bolt-On	TIREMAAX® PRO Bolt-On
Tire Inflation System	None	TIREMAAX		None	TIREMAAX TIREMAAX PRO
Lube Type	N/A (sealed system)			Semi-fluid Grease	
Spindle Type	HUS	S-32015	VS-29566-5	N/A	N/A N/A
	HN	N/A		N/A	N/A N/A
	HP	N/A		VS-31185	S-31254 C-32056-3 (Dual)



HUBCAPS (Continued)

10a HUBCAP - HENDRICKSON Original Equipment Replacements (Continued)								
Hub Type		Hendrickson Long Life System™ - HLS®			Hendrickson Value System™ - HVS®			
Hub Cap Type		Standard - Screw On		TIREMAAX® PRO Bolt-On	Standard Bolt-On		TIREMAAX PRO	
Tire Inflation System		None	TIREMAAX	TIREMAAX PRO		None	TIREMAAX	TIREMAAX PRO
Lube Type		Semi-fluid Grease			Oil	Oil	Oil	
Spindle Type	HUS®	N/A	N/A	N/A		N/A	N/A	N/A
	HN	S-27858	VS-26491	C-32055-3 (Dual)		C-28572	VS-26492	C-32055-1 (Dual)
	HP	S-27859	VS-26493	C-32056-3 (Dual)		C-28573	VS-26494	C-32056-3 (Dual)

10a HUBCAP - HENDRICKSON Original Equipment Replacements (Continued)									
Hub Cap Type		TIREMAAX PRO				TIREMAAX CP			
Hub Type		Standard Service, ConMet PreSet® or Gunite TruSet®				Standard Service, ConMet PreSet or Gunite TruSet			
Tire Inflation System		TIREMAAX PRO				TIREMAAX CP			
Tires		Dual		Super Single		Dual		Super Single	
Lube Type		Semi-fluid Grease	Oil	Semi-fluid Grease	Oil	Semi-fluid Grease	Oil	Semi-fluid Grease	Oil
Spindle Type	HN	C-32055-3	C-32055-1	C-32055-4	C-32055-2	C-32068-3	C-32068-1	C-32068-4	C-32068-2
	HP	C-32056-3	C-32056-1	C-32056-4	C-32056-2	C-32070-3	C-32070-1	C-32070-4	C-32070-2

10b HUBCAP - DUAL DYNAMICS Original Equipment Replacements									
Hub Cap Type		Dual Dynamics				Dual Dynamics			
Hub Type		Standard Service or Gunite TruSet				Conmet Preset			
Tire Inflation System		None		TIREMAAX		None		TIREMAAX	
Lube Type		Semi-fluid Grease	Oil	Semi-fluid Grease	Oil	Semi-fluid Grease	Oil	Semi-fluid Grease	Oil
Spindle Type	HN	C-29467	N/A	VS-26491	VS-26492	C-25886	C-25885	VS-26491	VS-26492
	HP	C-29466	N/A	VS-26493	VS-26494	C-25888	C-25887	VS-26493	VS-26494

10c HUBCAP - STEMCO Original Equipment Replacements									
Hub Cap Type		STEMCO Bolt-On				STEMCO Sentinel®			
Hub Type		Standard Service or Gunite TruSet				Standard Service or Gunite TruSet			
Tire Inflation System		None		TIREMAAX		None			
Lube Type		Semi-fluid Grease	Oil	Semi-fluid Grease	Oil	Semi-fluid Grease		Oil	
Spindle Type	HN	N/A	A-1974	C-31290	C-31292	S-23987		A-23986	
	HP	N/A	A-23406	C-31291	C-31293	A-23989		A-23988	

INDIVIDUAL HUBCAP COMPONENTS

11 INDIVIDUAL HUBCAP COMPONENTS (Not shown)				
DESCRIPTION		PART NO.	QTY. PER AXLE	NOTES
Rubber Hubcap Plug — Stemco Bolt-on		S-26040	2	
Dual Dynamics Plug — ConMet PreSet		S-30004	2	
Plastic Hubcap Plug — Stemco Sentinel		S-26041	2	
Wheel Fasteners — Dual or Super Singles		S-24695	1	(1) Wheel fastener per packet

www.hendrickson-intl.com



Trailer Commercial Vehicle Systems
250 Chrysler Drive, Unit #3
Brampton, ON Canada L6S 6B6
905.789.1030
Fax 905.789.1033

Trailer Commercial Vehicle Systems
2070 Industrial Place SE
Canton, OH 44707-2641 USA

866.RIDEAIR (743.3247)
330.489.0045
Fax 800.696.4416

Hendrickson Mexicana
Av. Industria Automotriz #200
Parque Industrial Stiva Aeropuerto
Apodaca, N.L., México C.P. 66600
+52 (81) 8288.1300
Fax +52 (81) 8288.1301